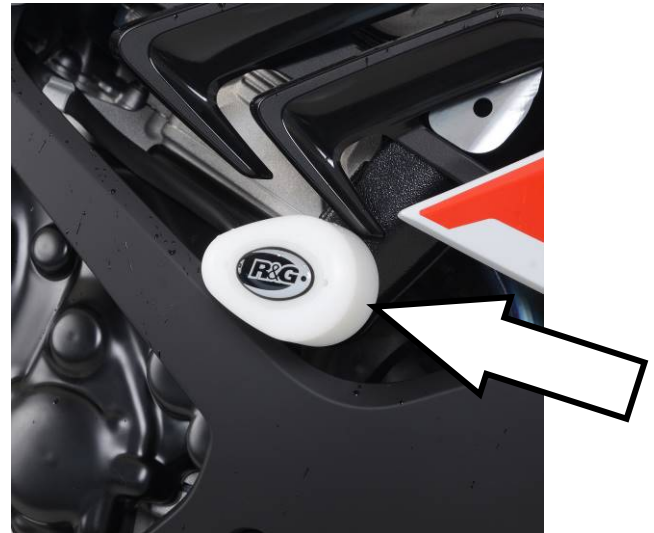




FITTING INSTRUCTIONS FOR CP0529 AERO CRASH PROTECTORS
RACE STYLE FOR BMW M1000RR 2021-



PICTURE A



PICTURE B

THIS KIT CONTAINS THE ITEMS PICTURED AND LABELLED OVER PAGE.

SOME PARTS MAY BE SHOWN FOR CLARITY OF INSTRUCTIONS ONLY.

DO NOT PROCEED UNTIL YOU ARE SURE ALL PARTS ARE PRESENT.

PLEASE READ ALL INSTRUCTIONS BEFORE PROCEEDING.

**IF IN ANY DOUBT WHEN FITTING OUR PRODUCTS, CONSULT ONE OF
OUR DEALERS OR HAVE FITTED BY A QUALIFIED TECHNICIAN.**

PLEASE NOTE THAT THE WAY THE KIT IS PACKED DOES NOT NECESSARILY REPRESENT THE
WAY OF MOUNTING TO THE BIKE.

IN THE EVENT OF RUBBER WASHERS BEING USED TO HOLD COMPONENTS ONTO BOLTS,
THESE RUBBER WASHERS CAN BE THROWN AWAY.

DIGITAL COPIES OF THESE INSTRUCTIONS ARE AVAILABLE FROM:

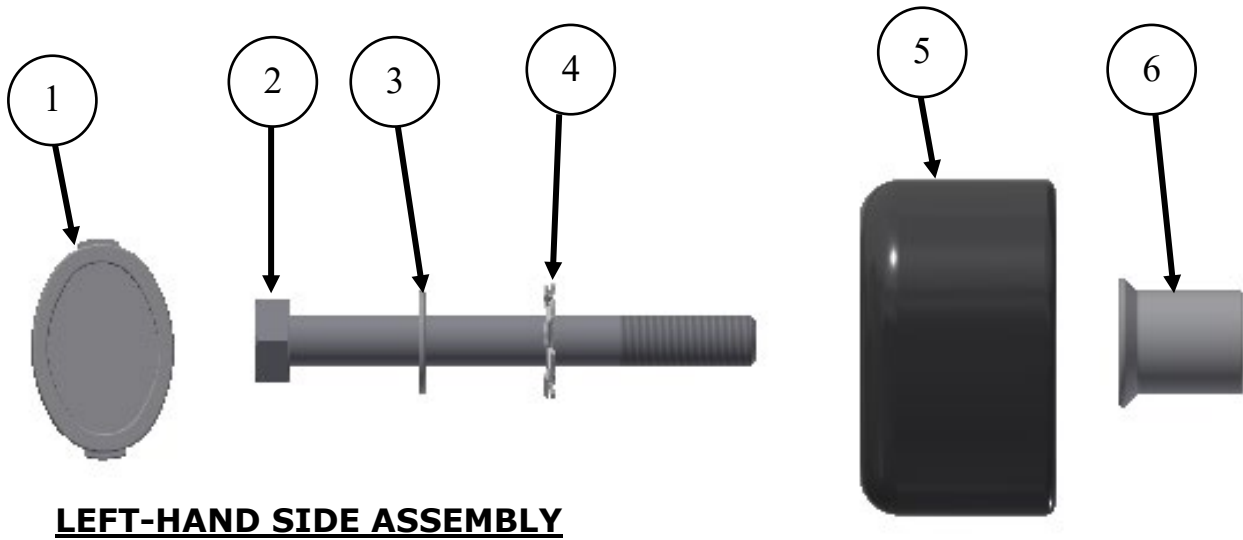
WWW.RG-RACING.COM



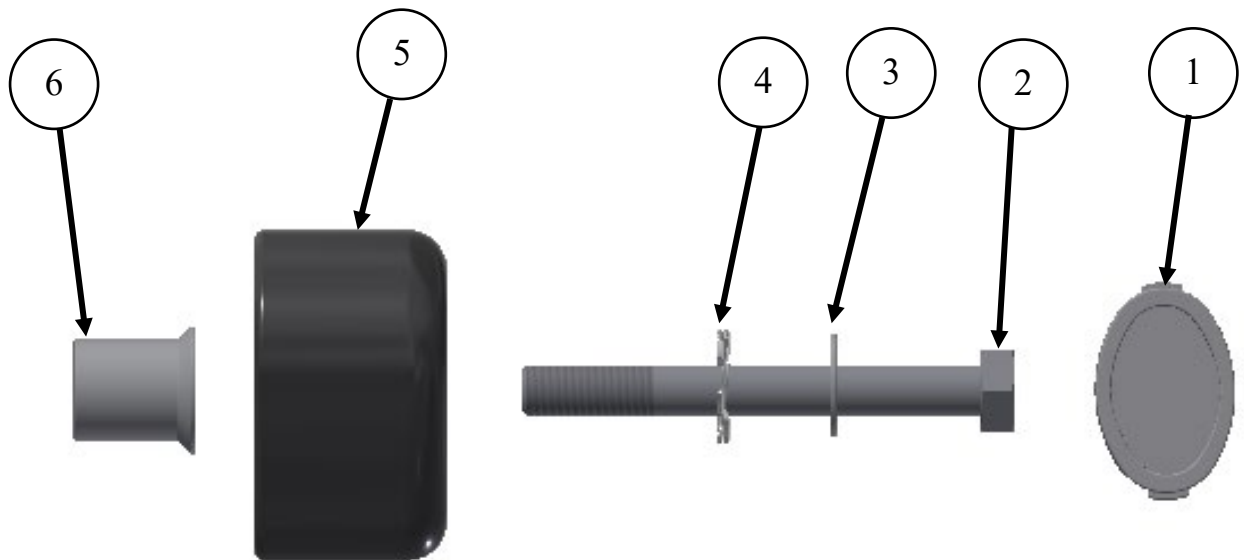
<u>TOOLS REQUIRED</u>	<u>GENERAL TORQUE SETTINGS</u>
<ul style="list-style-type: none"> • Socket set to include 17mm A/F socket and wrench. <ul style="list-style-type: none"> • Torx T50 key or socket bits. • Torque wrench (up-to 40Nm). 	M4 BOLT = 8Nm M5 BOLT = 12Nm M6 BOLT = 15Nm M8 BOLT = 20Nm M10 BOLT = 40Nm M12 BOLT = 40Nm

LEGEND

ITEM NO.	DESCRIPTION	QTY
ITEM 1	CRASH PROTECTOR CAPS (BC0002)	2
ITEM 2	M10 x 1.50 x 90mm LONG HEX HEAD BOLTS	2
ITEM 3	M10 WASHERS	2
ITEM 4	SHAKE PROOF WASHERS (LW0001)	2
ITEM 5	CRASH PROTECTORS (B0472 c/w CS449)	2
ITEM 6	CRASH PROTECTOR SPACERS 24mm LONG (S0142)	2



LEFT-HAND SIDE ASSEMBLY



RIGHT-HAND SIDE ASSEMBLY



AERO STYLE CRASH PROTECTOR ORIENTATION



PICTURE C

FITTING INSTRUCTIONS

- **It is advisable to support the engine to prevent any engine movement when the original engine bolts are loosened/removed (do not use excessive force as damage can occur).**

Near side (left side as you sit on the motorcycle)

- Slide one of the 10mm plain washers (**item 3**) onto the M10x90mm long hexagon headed bolt (**item 2**) so the washer sits against head of bolt.
- Slide serrated locking washer (**item 4**) over the bolt so it sits against the washer just fitted.
- Next slide the bolt with washers through either crash protector (**item 5**) so head of bolt and washers goes into counter-bore in bobbin.
- Slide one of the spacers (**item 6**=24mm long) over the exposed end of the bolt as shown in the left-hand side assembly picture above.
- Offer the crash protector assembly up to the frame mount and begin to tighten the bolt as arrowed in **picture A**.
- Tighten the bolt until you feel some compression from inside the protector using 17mm socket and wrench. **PLEASE NOTE THE CRASH PROTECTOR MUST BE POSITIONED AS IN PICTURE 'C' WITH BIGGER END TOWARD FRONT OF BIKE.** Turn a little more so that you feel the compression increase slightly. Then apply a quarter turn. **Tighten to 40Nm of torque (do not exceed this figure, as damage can occur to the motorcycle and the bolt).**
- If not already fitted fit bubble stickers into recess of both crash protector caps.
- Fit crash protector cap (**item 1**) into the crash protector.
- Please check tightness of crash protectors regularly.

Off side (right side as you sit on the motorcycle)

- Remove the engine bolt on the right side of the bike, as arrowed in **picture B**.
- Slide one of the 10mm plain washers (**item 3**) onto the M10x90mm long hexagon headed bolt (**item 2**) so the washer sits against head of bolt.
- Slide serrated locking washer (**item 4**) over the bolt so it sits against the washer just fitted.
- Next slide the bolt with washers through the remaining crash protector (**item 5**) so head of bolt and washers goes into counter-bore in bobbin.

R&G



- Slide one of the spacers (**item 6**=24mm long) over the exposed end of the bolt as shown in the left-hand side assembly picture above.
- Offer the crash protector assembly up to the frame mount and begin to tighten the bolt as shown in **picture B**.
- Tighten the bolt until you feel some compression from inside the protector using 17mm socket and wrench. **PLEASE NOTE THE CRASH PROTECTOR MUST BE POSITIONED AS IN PICTURE 'C' WITH BIGGER END TOWARD FRONT OF BIKE.** Turn a little more so that you feel the compression increase slightly. Then apply a quarter turn. **Tighten to 40Nm of torque (do not exceed this figure, as damage can occur to the motorcycle and the bolt).**
- If not already fitted fit bubble stickers into recess of both crash protector caps.
- Fit crash protector cap (**item 1**) into the crash protector.
- Before riding, please check both crash protectors are secure and will not rotate.
- Please check tightness of crash protectors regularly.

ISSUE 1 09/09/2021 (NSY)

CONSUMER NOTICE

The catalogue description and any exhibition of samples are only broad indications of the Products and R&G may make design changes which do not diminish their performance or visual appeal and supplying them in such state shall conform to the order. The Buyer acknowledges no representation or warranty (other than as to title) has been given or will apply to the Products other than those in R&G's order or confirmation and the Buyer confirms it has chosen the Products as being of merchantable quality and suitable for its particular purposes. Where R&G fits the Products or undertakes other services it shall exercise reasonable skill and care and rectify any fault free of charge unless the workmanship has been disturbed. The Buyer is responsible for ensuring that the warranty on the motorcycle is not affected by the fitting of the Products. On return of any defective Products R&G shall at its option either supply a replacement or refund the purchase money but shall not be liable if the Products have been modified or used or maintained otherwise than in accordance with R&G's or manufacturer's instructions and good engineering practice or if the defect arises from accident or neglect. Other than identified above and subject to R&G not limiting its liability for causing death and personal injury, it shall not be liable for indirect or consequential loss and otherwise its liability shall be limited to the amounts paid by the Buyer for the Products or the fitting or service concerned. These terms do not affect the Buyer's statutory rights.

R&G RETURNS POLICY (NON-FAULTY GOODS)

Returns must be pre-authorized (if not pre-authorized the return will be rejected). Goods may only be returned direct to us if they were purchased direct from us (customer must prove if necessary). Otherwise to be returned to original vendor. Goods must be in re-sellable condition, in the opinion of R&G. All returns are subject to a 25% restocking and handling fee (25% of the gross value exc. P&P – at the prevailing price at time of purchase). The customer must pay any and all carriage charges. No returns of discontinued products, unless within 14 days of purchase. This policy does not affect your statutory rights and does not refer to faulty goods.

R&G

Unit 1, Shelley's Lane, East Worldham, Alton, Hampshire, GU34 3AQ

Tel: +44 (0)1420 89007 Fax: +44 (0)1420 87301 www.rg-racing.com Email: info@rg-racing.com