



**FITTING INSTRUCTIONS FOR CR0084 COTTON REELS  
FOR OHVALE 110/160**



**PICTURE A**

**THIS KIT CONTAINS THE ITEMS PICTURED AND LABELLED OVER PAGE.**

SOME PARTS MAY BE SHOWN FOR CLARITY OF INSTRUCTIONS ONLY.

DO NOT PROCEED UNTIL YOU ARE SURE ALL PARTS ARE PRESENT.

**PLEASE READ ALL INSTRUCTIONS BEFORE PROCEEDING.**

**IF IN ANY DOUBT WHEN FITTING OUR PRODUCTS, CONSULT ONE OF  
OUR DEALERS OR HAVE FITTED BY A QUALIFIED TECHNICIAN.**

PLEASE NOTE THAT THE WAY THE KIT IS PACKED DOES NOT NECESSARILY REPRESENT THE  
WAY OF MOUNTING TO THE BIKE.

IN THE EVENT OF RUBBER WASHERS BEING USED TO HOLD COMPONENTS ONTO BOLTS,  
THESE RUBBER WASHERS CAN BE THROWN AWAY.

**DIGITAL COPIES OF THESE INSTRUCTIONS ARE AVAILABLE FROM:**

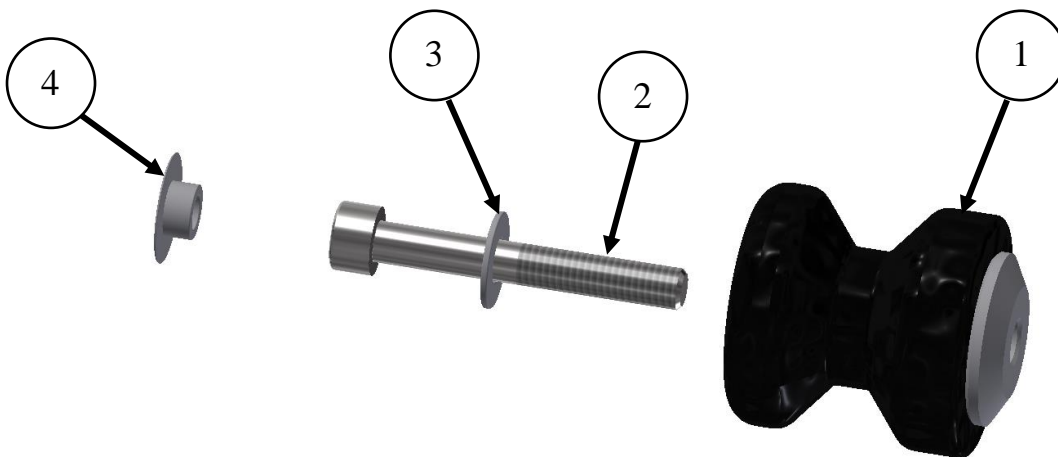
**[WWW.RG-RACING.COM](http://WWW.RG-RACING.COM)**



<b><u>TOOLS REQUIRED</u></b>	<b><u>GENERAL TORQUE SETTINGS</u></b>
<ul style="list-style-type: none"> <li>Set of Metric Allen Keys to include 5mm A/F.</li> </ul>	M4 BOLT = 8Nm M5 BOLT = 12Nm M6 BOLT = 15Nm M8 BOLT = 20Nm M10 BOLT = 40Nm M12 BOLT = 40Nm

### **LEGEND**

<b>ITEM NO.</b>	<b>DESCRIPTION</b>	<b>QTY</b>
ITEM 1	B0443 BOBBINS FITTED WITH CS301 COMP-SLEEVES	2
ITEM 2	M6x45mm LONG CAP HEAD BOLTS	2
ITEM 3	M6 WASHERS O/D=16mm	2
ITEM 4	NC0008 M6 FLAT-CAPS	2



### **COMPONENT PARTS**



### **FITTING INSTRUCTIONS**

- Slide one of the M6 bolts (**item 2**) through one of the washers (**item 3**) and then through either of the bobbins (**item 1**) as shown in the **component parts diagram**.
- Offer up to the tapped hole on the swingarm as shown in **picture A** and secure using a 5mm Allen tool.
- Repeat for the opposite side of the bike.
- Push a flat-cap (**item 4**) into both bolt heads to give a clean look.

**Please ensure no parts of the cotton reels can contact any parts of the motorcycle when in operation.**

ISSUE 1 12/01/2021 (NSY)

### **CONSUMER NOTICE**

The catalogue description and any exhibition of samples are only broad indications of the Products and R&G may make design changes which do not diminish their performance or visual appeal and supplying them in such state shall conform to the order. The Buyer acknowledges no representation or warranty (other than as to title) has been given or will apply to the Products other than those in R&G's order or confirmation and the Buyer confirms it has chosen the Products as being of merchantable quality and suitable for its particular purposes. Where R&G fits the Products or undertakes other services it shall exercise reasonable skill and care and rectify any fault free of charge unless the workmanship has been disturbed. The Buyer is responsible for ensuring that the warranty on the motorcycle is not affected by the fitting of the Products. On return of any defective Products R&G shall at its option either supply a replacement or refund the purchase money but shall not be liable if the Products have been modified or used or maintained otherwise than in accordance with R&G's or manufacturer's instructions and good engineering practice or if the defect arises from accident or neglect. Other than identified above and subject to R&G not limiting its liability for causing death and personal injury, it shall not be liable for indirect or consequential loss and otherwise its liability shall be limited to the amounts paid by the Buyer for the Products or the fitting or service concerned. These terms do not affect the Buyer's statutory rights.

### **R&G RETURNS POLICY (NON-FAULTY GOODS)**

Returns must be pre-authorized (if not pre-authorized the return will be rejected). Goods may only be returned direct to us if they were purchased direct from us (customer must prove if necessary). Otherwise to be returned to original vendor. Goods must be in re-sellable condition, in the opinion of R&G. All returns are subject to a 25% restocking and handling fee (25% of the gross value exc. P&P – at the prevailing price at time of purchase). The customer must pay any and all carriage charges. No returns of discontinued products, unless within 14 days of purchase. This policy does not affect your statutory rights and does not refer to faulty goods.

R&G

Unit 1, Shelley's Lane, East Worldham, Alton, Hampshire, GU34 3AQ  
Tel: +44 (0)1420 89007 Fax: +44 (0)1420 87301 [www.rg-racing.com](http://www.rg-racing.com) Email: [info@rg-racing.com](mailto:info@rg-racing.com)



**NOTICE DE MONTAGE POUR CR0084**  
**PROTECTIONS BRAS OSCILLANT**  
**POUR OHVALE 110/160**



**PHOTO A**

**CE KIT CONTIENT LES ARTICLES ILLUSTRES ET ETIQUETES SUR LA PAGE.**

CERTAINES PARTIES PEUVENT ETRE PRESENTES UNIQUEMENT POUR LA CLARTE DES  
INSTRUCTIONS.

NE PAS PROCEDER AU MONTAGE TANT QUE VOUS N'ETES PAS SUR QUE TOUTES LES PIECES  
SOIENT PRESENTES.

**VEUILLEZ LIRE TOUTES LES INSTRUCTIONS AVANT DE CONTINUER.**

**EN CAS DE DOUTE LORS DU MONTAGE DE NOS PRODUITS, CONSULTEZ  
UN DE NOS REVENDEURS OU FAITES APPEL A UN TECHNICIEN  
QUALIFIÉ.**

VEUILLEZ NOTER QUE LA FAÇON DONT LE KIT EST EMBALLE NE REPRESENTE PAS  
NECESSAIREMENT LA MANIERE DE LE MONTER SUR LA MOTO.

SI DES RONDELLES EN CAOUTCHOUC SONT UTILISEES POUR MAINTENIR LES COMPOSANTS  
SUR LES BOULONS, ELLES PEUVENT ETRE JETEES.

**NOTICE DISPONIBLE AU TELECHARGEMENT SUR : [WWW.RG-RACING.COM](http://WWW.RG-RACING.COM)**



<b><u>OUTILS REQUIS</u></b>	<b><u>VALEURS DE SERRAGE RECOMMANDÉES</u></b>
<ul style="list-style-type: none"> <li>• Clés Allen 5mm</li> </ul>	M4 BOULON = 8Nm M5 BOULON = 12Nm M6 BOULON = 15Nm M8 BOULON = 20Nm M10 BOULON = 40Nm M12 BOULON = 40Nm

## **LÉGENDE**

<b>ARTICLE NO.</b>	<b>DESCRIPTION</b>	<b>QTÉ</b>
ARTICLE 1	B0443 BOBINES AVEC CS301 MANCHON DE COMPRESSION	2
ARTICLE 2	M6x45mm BOULONS	2
ARTICLE 3	M6 RONDELLES O/D=16mm	2
ARTICLE 4	NC0008 M6 CAPUCHONS PLATS	2

## **COMPOSANTS**

### **NOTICE DE MONTAGE**

- Faites glisser l'un des boulons M6 (article 2) à travers l'une des rondelles (article 3) puis à travers l'une des bobines (article 1) comme indiqué sur le schéma des pièces détachées.
- Présentez le jusqu'au trou taraudé sur le bras oscillant comme indiqué sur la photo A et fixez-le à l'aide d'un outil Allen de 5 mm.
- Répétez l'opération de l'autre côté de la moto.
- Poussez un capuchon plat (article 4) dans les deux têtes de boulon pour donner un aspect net.

**Veillez vous assurer qu'aucune partie des bobines ne puisse entrer en contact avec les pièces de la moto lorsqu'elle est en fonctionnement**

ISSUE 1 12/01/2021 (NSY)