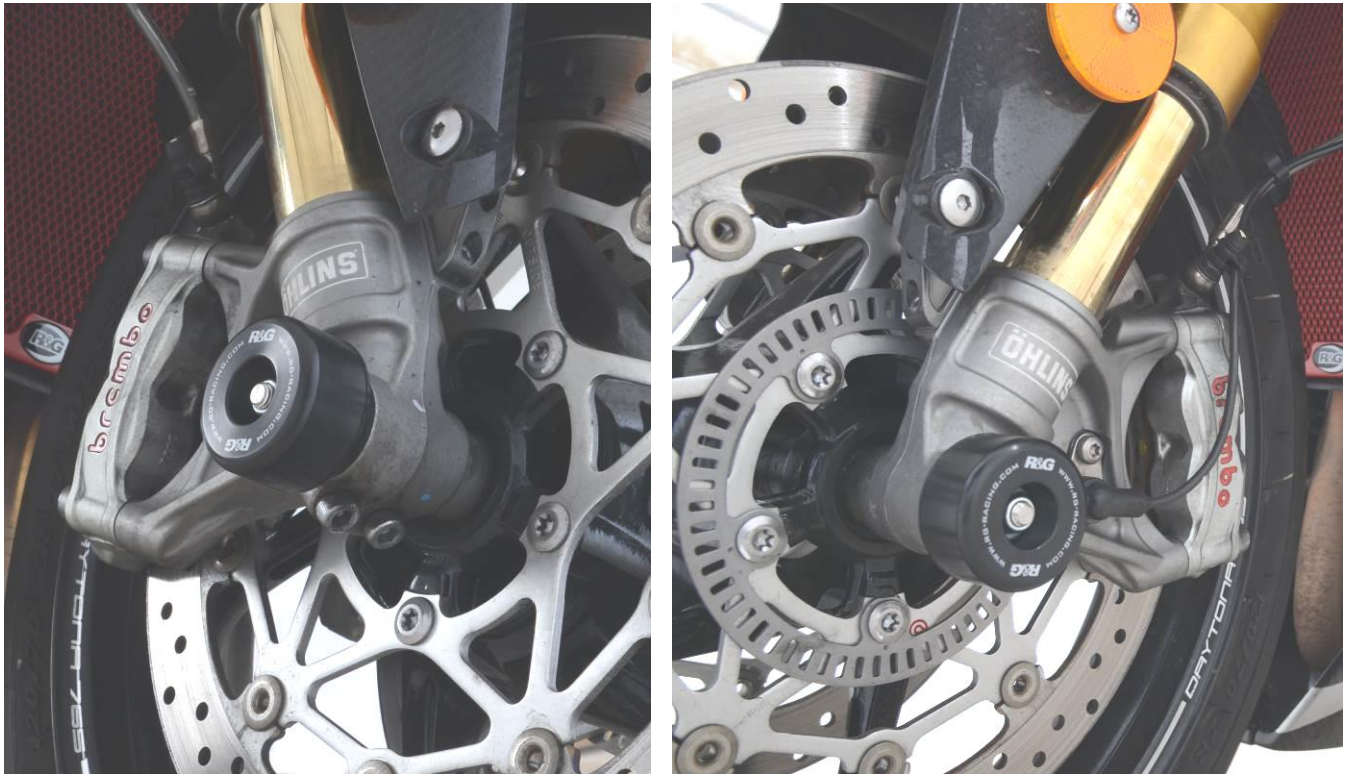




**FITTING INSTRUCTIONS FOR FP0244 FORK PROTECTORS
TO FIT TRIUMPH DAYTONA MOTO2 765 2020-/DAYTONA 675 2013-
/STREET TRIPLE RS 765 2017-**



This Kit contains the items pictured and labelled over page.

Some parts may be shown for clarity of instructions only.

Do not proceed until you are sure all parts are present.

Please read all instructions before proceeding.

**IF IN ANY DOUBT WHEN FITTING OUR PRODUCTS, CONSULT ONE OF OUR DEALERS
OR HAVE FITTED BY A QUALIFIED TECHNICIAN.**

Please note that the way the kit is packed does not necessarily represent the way of mounting to the bike.

In the event of rubber washers being used to hold components onto bolts, these rubber washers can be thrown away.

DIGITAL COPIES OF THESE INSTRUCTIONS ARE AVAILABLE FROM

www.rg-racing.com

R&G

Unit 1, Shelley's Lane, East Worldham, Alton, Hampshire, GU34 3AQ

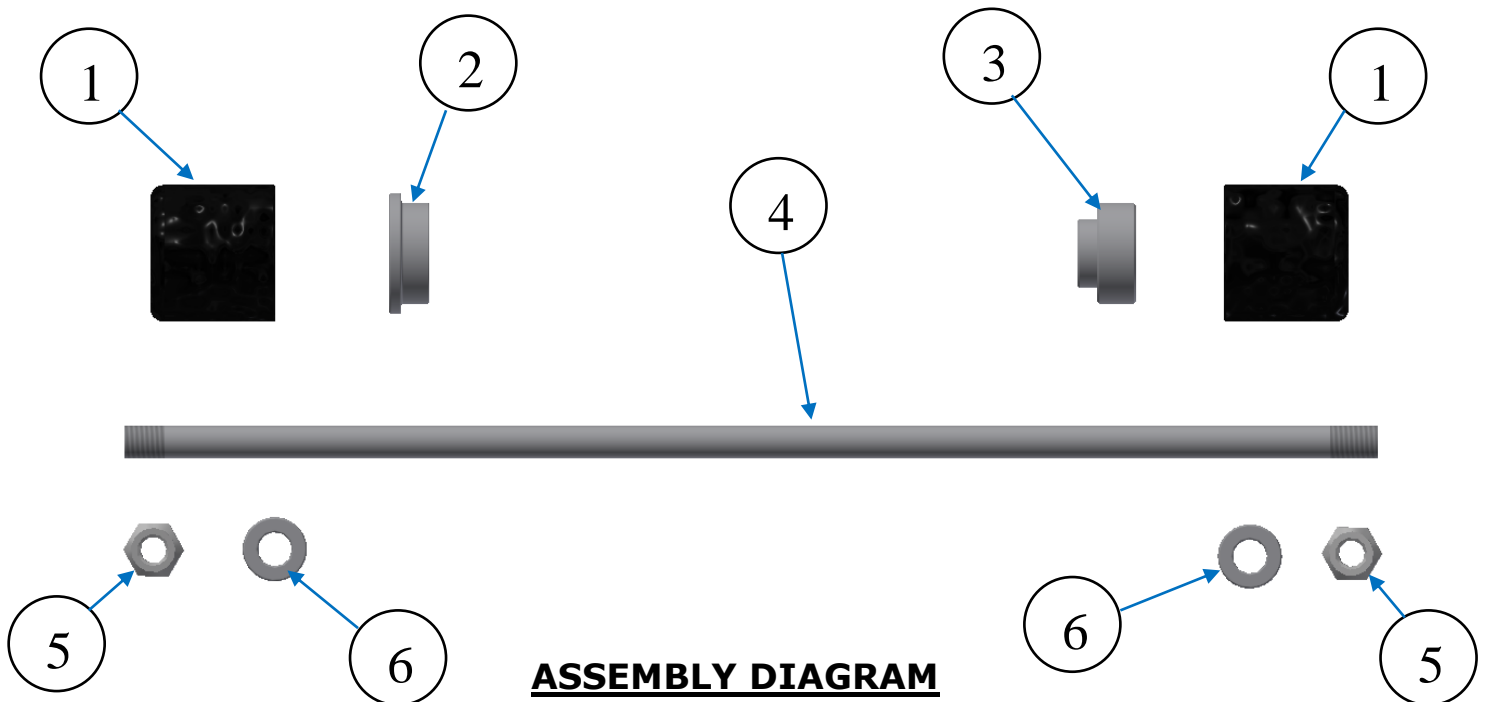
Tel: +44 (0)1420 89007 Fax: +44 (0)1420 87301 www.rg-racing.com Email: info@rg-racing.com



<u>TOOLS REQUIRED</u>	<u>GENERAL TORQUE SETTINGS</u>
<ul style="list-style-type: none"> • Socket Set to Include 2 x 13mm sockets and wrenches. 	<p>M4 BOLT = 8Nm M5 BOLT = 12Nm M6 BOLT = 15Nm M8 BOLT = 20Nm M10 BOLT = 40Nm M12 BOLT = 40Nm</p>

LEGEND

ITEM No.	DESCRIPTION	QTY
ITEM 1	B0445 M CRASH PROTECTOR (BOTH SIDES)	2
ITEM 2	S1304 LEFT-HAND-SIDE CRASH PROTECTOR SPACER	1
ITEM 3	S0244 RIGHT-HAND-SIDE CRASH PROTECTOR SPACER	1
ITEM 4	SB152 SPINDLE BAR (M8 x 311mm LONG)	1
ITEM 5	M8 NYLOC NUT	2
ITEM 6	M8 WASHER (19mm O/D)	2





FITTING INSTRUCTIONS

- Fit one nut (**item 5**) and one washer (**item 6**) to the spindle bar (**item 4**), engaging the nut so the plastic insert of the nut is fully engaged and the bar protrudes by 1 or 2 threads. It is recommended to use a small amount of superglue or Loctite to fix this nut as this will aid when tightening the opposite side later.
- Feed the spindle bar with nut and washer through either crash protector (**item 1**) and then through the smaller/longer spacer with the smaller location diameter (**item 2**) as shown in the **assembly diagram**, then slide this assembly into the left hand side of the front spindle ensuring the spacer is located into the spindle.
- Moving to the right-hand side of the bike, slide the remaining spacer (**item 3**) over the exposed end of the spindle bar so the smaller-diameter end sits within the spindle.
- Fit the remaining crash protector (**item 1**) over the spindle bar and against the spacer, then fit the remaining washer (**item 6**) and nut (**item 5**) from the kit onto the thread protruding from the crash protector.
- Finally tighten the nut on both sides evenly using two 13mm sockets and ensure that the plastic insert of both nuts are fully engaged and the protruding threads are equal on both sides. Check the fork protectors are secure and held firmly against the spacers and do not spin.
- Do not overtighten – the Nyloc nuts will hold it tight.
- After riding the bike, check the tightness of the nuts regularly (e.g. when cleaning the bike).

ISSUE 1 - 13/01/2021 (NSY)

CONSUMER NOTICE

The catalogue description and any exhibition of samples are only broad indications of the Products and R&G may make design changes which do not diminish their performance or visual appeal and supplying them in such state shall conform to the order. The Buyer acknowledges no representation or warranty (other than as to title) has been given or will apply to the Products other than those in R&G's order or confirmation and the Buyer confirms it has chosen the Products as being of merchantable quality and suitable for its particular purposes. Where R&G fits the Products or undertakes other services it shall exercise reasonable skill and care and rectify any fault free of charge unless the workmanship has been disturbed. The Buyer is responsible for ensuring that the warranty on the motorcycle is not affected by the fitting of the Products. On return of any defective Products R&G shall at its option either supply a replacement or refund the purchase money but shall not be liable if the Products have been modified or used or maintained otherwise than in accordance with R&G's or manufacturer's instructions and good engineering practice or if the defect arises from accident or neglect. Other than identified above and subject to R&G not limiting its liability for causing death and personal injury, it shall not be liable for indirect or consequential loss and otherwise its liability shall be limited to the amounts paid by the Buyer for the Products or the fitting or service concerned. These terms do not affect the Buyer's statutory rights.

R&G RACING RETURNS POLICY (NON-FAULTY GOODS)

Returns must be pre-authorized (if not pre-authorized the return will be rejected). Goods may only be returned direct to us if they were purchased direct from us (customer must prove if necessary). Otherwise to be returned to original vendor. Goods must be in re-sellable condition, in the opinion of R&G Racing. All returns are subject to a 25% restocking and handling fee (25% of the gross value exc. P&P – at the prevailing price at time of purchase). The customer must pay any and all carriage charges. No returns of discontinued products, unless within 14 days of purchase. This policy does not affect your statutory rights and does not refer to faulty goods.

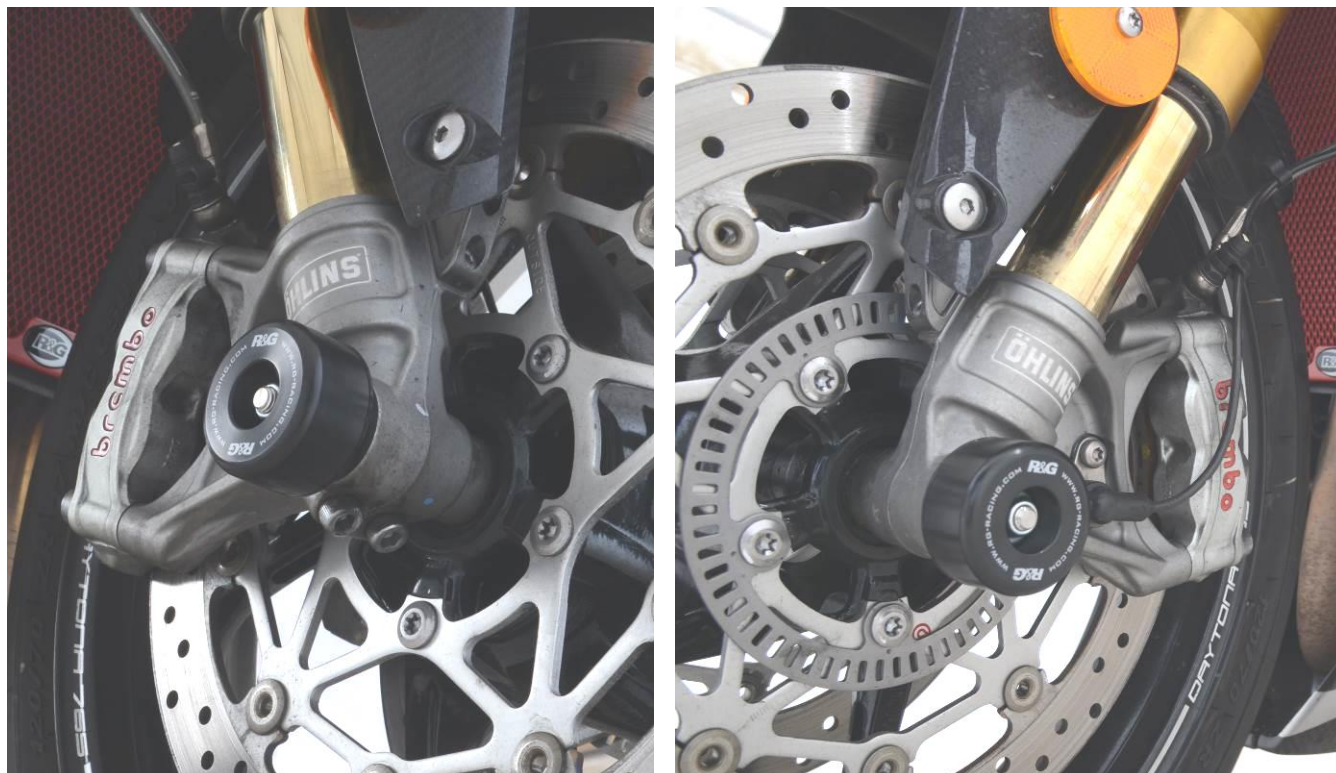
R&G

Unit 1, Shelley's Lane, East Worldham, Alton, Hampshire, GU34 3AQ

Tel: +44 (0)1420 89007 Fax: +44 (0)1420 87301 www.rg-racing.com Email: info@rg-racing.com



**NOTICE DE MONTAGE POUR FP0244 PROTECTIONS FOURCHE
POUR TRIUMPH DAYTONA MOTO2 765 2020-/DAYTONA 675 2013-
/STREET TRIPLE RS 765 2017-**



CE KIT CONTIENT LES ARTICLES ILLUSTRÉS ET ÉTIQUETÉS SUR LA PAGE.

CERTAINES PARTIES PEUVENT ÊTRE PRÉSENTES UNIQUEMENT POUR LA CLARTÉ DES INSTRUCTIONS.

NE PAS PROCÉDER AU MONTAGE TANT QUE VOUS N'ÊTES PAS SÛR QUE TOUTES LES PIÈCES SOIENT PRÉSENTES.

VEUILLEZ LIRE TOUTES LES INSTRUCTIONS AVANT DE CONTINUER.

EN CAS DE DOUTE LORS DU MONTAGE DE NOS PRODUITS, CONSULTEZ UN DE NOS REVENDEURS OU FAITES APPEL À UN TECHNICIEN QUALIFIÉ.

VEUILLEZ NOTER QUE LA FAÇON DONT LE KIT EST EMBALLÉ NE REPRÉSENTE PAS NECESSAIREMENT LA MANIÈRE DE LE MONTER SUR LA MOTO.

SI DES RONDELLES EN CAOUTCHOUC SONT UTILISÉES POUR MAINTENIR LES COMPOSANTS SUR LES BOULONS, ELLES PEUVENT ÊTRE JETÉES.

NOTICE DISPONIBLE AU TÉLÉCHARGEMENT SUR : WWW.RG-RACING.COM

R&G

Unit 1, Shelley's Lane, East Worldham, Alton, Hampshire, GU34 3AQ
Tel: +44 (0)1420 89007 Fax: +44 (0)1420 87301 www.rg-racing.com Email: info@rg-racing.com

**OUTILS REQUIS**

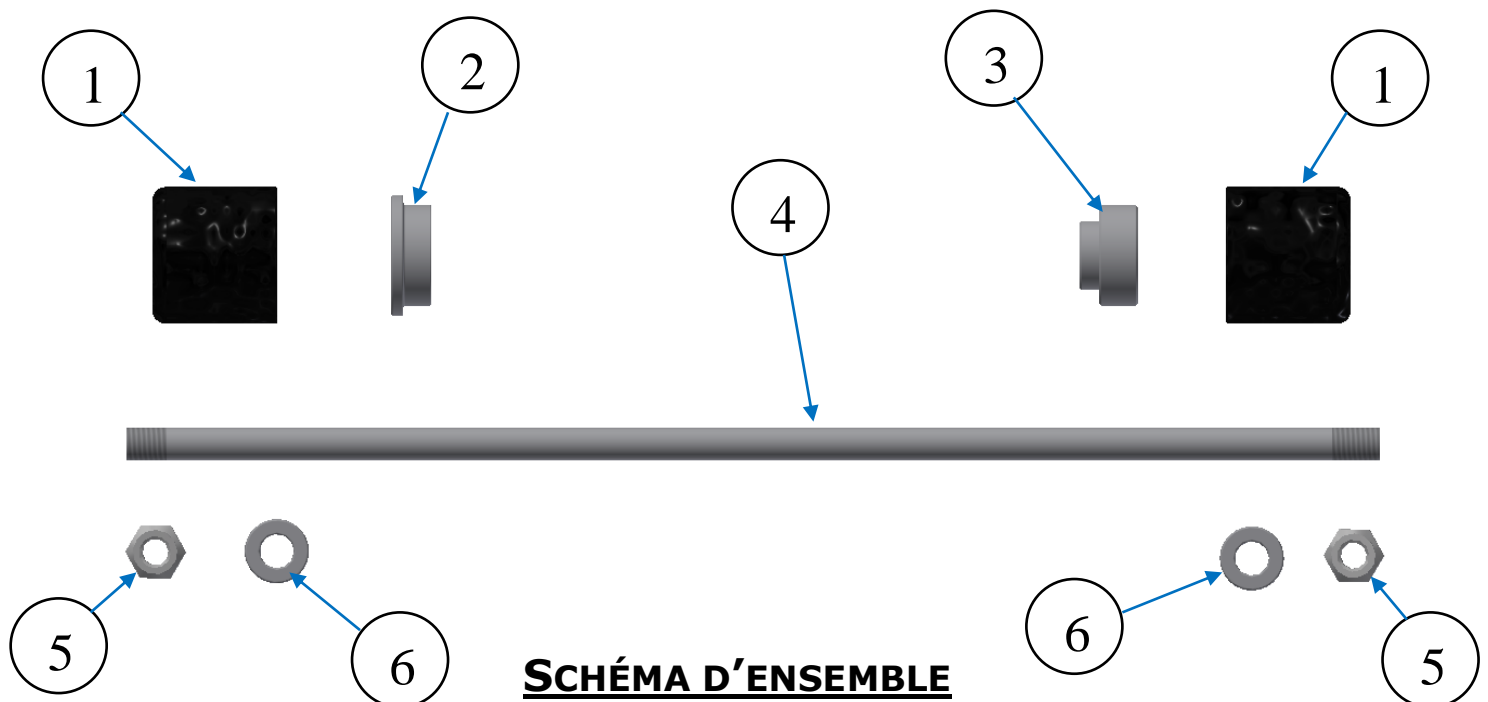
- Clé à cliquet + douilles 2 x 13mm

VALEURS DE SERRAGE

M4 BOULON = 8Nm
 M5 BOULON = 12Nm
 M6 BOULON = 15Nm
 M8 BOULON = 20Nm
 M10 BOULON = 40Nm
 M12 BOULON = 40Nm

LÉGENDE

ARTICLE No.	DESCRIPTION	QTÉ
ARTICLE 1	B0445 M PROTECTION CRASH (DES 2 CÔTÉS)	2
ARTICLE 2	S1304 ENTRETOISE DE PROTECTION CRASH CÔTÉ GAUCHE	1
ARTICLE 3	S0244 ENTRETOISE DE PROTECTION CRASH CÔTÉ DROIT	1
ARTICLE 4	SB152 AXE (M8 x 311mm DE LONG)	1
ARTICLE 5	M8 ÉCROU	2
ARTICLE 6	M8 RONDELLE (19mm O/D)	2



R&G

Unit 1, Shelley's Lane, East Worldham, Alton, Hampshire, GU34 3AQ

Tel: +44 (0)1420 89007 Fax: +44 (0)1420 87301 www.rg-racing.com Email: info@rg-racing.com



NOTICE DE MONTAGE

- Monter un écrou (article 5) et une rondelle (article 6) sur l'axe (article 4), en engageant l'écrou de sorte que l'insert en plastique de l'écrou soit complètement engagé et que l'axe dépasse de 1 ou 2 filets. Il est recommandé d'utiliser une petite quantité de superglue ou de Loctite pour fixer cet écrou car cela facilitera le serrage du côté opposé plus tard.
- Faites passer l'axe avec l'écrou et la rondelle à travers l'une des protections crash (article 1), puis à travers l'entretoise plus petite / plus longue avec le plus petit diamètre d'emplacement (article 2) comme indiqué sur le schéma d'assemblage, puis faites glisser cet ensemble du côté gauche de l'axe avant en veillant à ce que l'entretoise se trouve dans l'axe.
- En vous déplaçant du côté droit de la moto, faites glisser l'entretoise restante (article 3) sur l'extrémité exposée de l'axe de sorte que l'extrémité de plus petit diamètre se trouve dans l'axe.
- Monter la protection crash restante (article 1) sur l'axe et contre l'entretoise, puis monter la rondelle restante (article 6) et l'écrou (article 5) du kit sur le filetage dépassant de la protection crash.
- Enfin, serrez l'écrou des deux côtés uniformément à l'aide de deux douilles de 13 mm et assurez-vous que l'insert en plastique des deux écrous soit complètement engagé et que les filets saillants soient égaux des deux côtés. Vérifiez que les protections fourche soient sécurisées et maintenues fermement contre les entretoises et ne tournent pas.
- Ne serrez pas excessivement - les écrous Nyloc fixent l'ensemble.
- Après avoir utilisé la moto, vérifiez régulièrement le serrage des écrous (par exemple lors du nettoyage de la moto).

ISSUE 1 - 13/01/2021 (NSY)

R&G

Unit 1, Shelley's Lane, East Worldham, Alton, Hampshire, GU34 3AQ

Tel: +44 (0)1420 89007 Fax: +44 (0)1420 87301 www.rg-racing.com Email: info@rg-racing.com