



FITTING INSTRUCTIONS FOR PKS0168 KICKSTAND SHOE



Please note that the way the kit is packed does not necessarily represent the way of mounting to the bike.

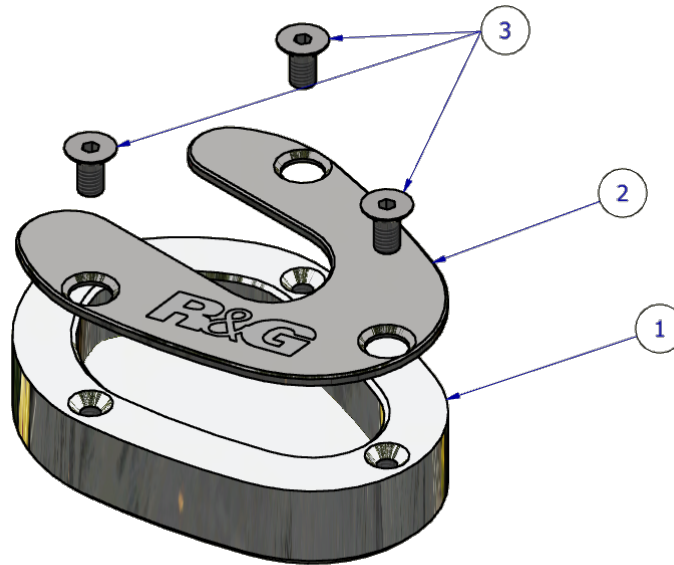
THE PARTS SHOWN MAY BE REPRESENTATIVE ONLY (FOR CLARITY OF INSTRUCTIONS ONLY)
Please note that in cases where kits are packed with rubber washers holding the components onto the bolt – *the rubber washers should be thrown away!*

TOOLS REQUIRED

- 3mm A/F Allen key.
- Loctite Blue 242

LEGEND

	DESCRIPTION	Qty
ITEM 1	MOUNTING PLATE (MP0278)	1
ITEM 2	CLAMPINT PLATE (PLATE0304)	1
ITEM 3	M5 x 0.8 x 12mm CSK BOLTS	3
ITEM 4	50mm SELF ADHESIVE FOAM (NOT SHOWN)	1



FITTING INSTRUCTIONS

- Take the aluminium mounting plate (**Item 1**) and fit to the base of the side stand from underneath.
- Carefully pass the clamping plate (**Item 2**) around the side stand leg.
- Sandwich the two plates together around the side stand leg, with the countersinks facing upwards on the clamping plate.
- Apply a small amount (one drop) of Loctite Blue 242 to the end of the threaded area of each screw.
- Fit the three M5 bolts (**Item 3**) clamping the two plates together and securely mounting onto the side stand foot.
- Tighten all bolts evenly and check to ensure the side stand pad clears the chain when in the raised position.
- If fitting to older stands that have been worn the padding strip should be placed in the base plate to ensure a tighter fit.

See more R&G products for your Motorcycle in the link below:

[R&G Racing | All Products for Triumph - Tiger 1200 GT Pro \(rg-racing.com\)](http://rg-racing.com)

ISSUE 1 - 01/11/2022 (MH)

CONSUMER NOTICE

The catalogue description and any exhibition of samples are only broad indications of the Products and R&G may make design changes which do not diminish their performance or visual appeal and supplying them in such state shall conform to the order. The Buyer acknowledges no representation or warranty (other than as to title) has been given or will apply to the Products other than those in R&G's order or confirmation and the Buyer confirms it has chosen the Products as being of merchantable quality and suitable for its particular purposes. Where R&G fits the Products or undertakes other services it shall exercise reasonable skill and care and rectify any fault free of charge unless the workmanship has been disturbed. The Buyer is responsible for ensuring that the warranty on the motorcycle is not affected by the fitting of the Products. On return of any defective Products R&G shall at its option either supply a replacement or refund the purchase money but shall not be liable if the Products have been modified or used or maintained otherwise than in accordance with R&G's or manufacturer's instructions and good engineering practice or if the defect arises from accident or neglect. Other than identified above and subject to R&G not limiting its liability for causing death and personal injury, it shall not be liable for indirect or consequential loss and otherwise its liability shall be limited to the amounts paid by the Buyer for the Products or the fitting or service concerned. These terms do not affect the Buyer's statutory rights.

R&G RACING RETURNS POLICY (NON-FAULTY GOODS)

Returns must be pre-authorized (if not pre-authorized the return will be rejected). Goods may only be returned direct to us if they were purchased direct from us (customer must prove if necessary). Otherwise to be returned to original vendor. Goods

R&G Racing

Unit 1, Shelley's Lane, East Worldham, Alton, Hampshire, GU34 3AQ

Tel: +44 (0)1420 89007 Fax: +44 (0)1420 87301 www.rg-racing.com Email: info@rg-racing.com



must be in re-sellable condition, in the opinion of R&G Racing. All returns are subject to a 25% restocking and handling fee (25% of the gross value exc. P&P – at the prevailing price at time of purchase). The customer must pay any and all carriage charges. No returns of discontinued products, unless within 14 days of purchase. This policy does not affect your statutory rights and does not refer to faulty goods.



NOTICE DE MONTAGE POUR PKS0168 PIED DE BÉQUILLE



CE KIT CONTIENT LES ARTICLES ILLUSTRÉS ET ÉTIQUETÉS SUR LA PAGE.

CERTAINES PIÈCES PEUVENT ÊTRE INDIQUÉES UNIQUEMENT POUR LA CLARTÉ DES INSTRUCTIONS.

NE PAS CONTINUER AVANT D'ÊTRE SÛR DE LA PRÉSENCE DE TOUTES LES PIÈCES.

VEUILLEZ LIRE TOUTES LES INSTRUCTIONS AVANT DE CONTINUER.

EN CAS DE DOUTE LORS DE L'INSTALLATION DE NOS PRODUITS, CONSULTEZ UN DE NOS REVENDEURS OU FAITES INSTALLER PAR UN TECHNICIEN QUALIFIÉ

VEUILLEZ NOTER QUE LA FAÇON DONT LE KIT EST EMBALLÉ NE REPRÉSENTE PAS
NÉCESSAIREMENT LE MODE DE MONTAGE SUR LA MOTO.

EN CAS D'UTILISATION DE RONDELLES EN CAOUTCHOUC POUR MAINTENIR LES COMPOSANTS
SUR LES BOULONS, CES RONDELLES EN CAOUTCHOUC PEUVENT ÊTRE JETÉES.

NOTICE DE MONTAGE DISPONIBLE AU TÉLÉCHARGEMENT SUR :

WWW.RG-RACING.COM

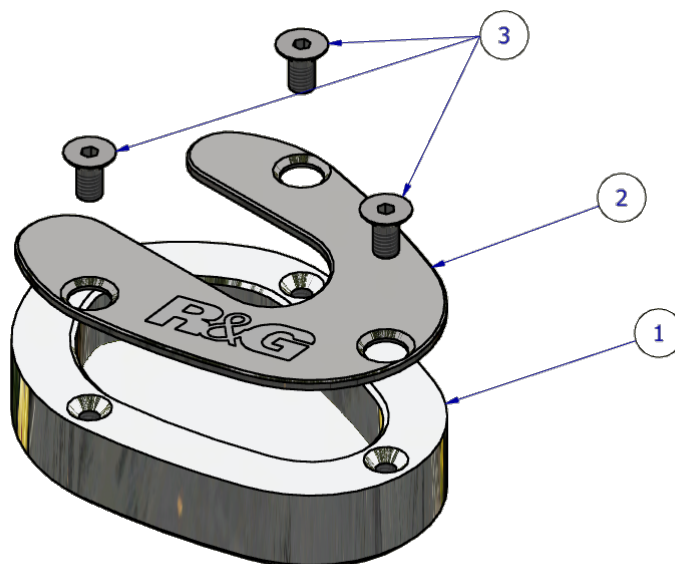


OUTILS REQUIS

- Clé Allen 3mm
- Loctite blue 242

LÉGENDE

	DESCRIPTION	Qté
ARTICLE 1	PLAQUE DE MONTAGE (MP0278)	1
ARTICLE 2	PLAQUE DE SERRAGE (PLATE0304)	1
ARTICLE 3	M5 x 0.8 x 12mm CSK BOULONS	3
ARTICLE 4	50mm BANDEAU DE MOUSSE ADHÉSIF (NON INDIQUÉ)	1



NOTICE DE MONTAGE

- Prenez la plaque de montage en aluminium (article 1) et fixez-la à la base de la béquille latérale par le dessous.
- Passer avec précaution la plaque de serrage (Article 2) autour du pied de béquille latérale.
- Ensermez les deux plaques ensemble autour du pied de la béquille latérale, avec les fraises vers le haut sur la plaque de serrage.
- Appliquez une petite quantité (une goutte) de Loctite Blue 242 à l'extrémité de la zone filetée de chaque vis.
- Monter les trois boulons M5 (Article 3) en serrant les deux plaques ensemble et en les fixant solidement sur le pied de la béquille latérale.
- Serrez tous les boulons uniformément et vérifiez que le coussinet de la béquille latérale soit espacé de la chaîne lorsqu'il est en position relevée.
- En cas d'installation sur des supports plus anciens qui ont été usés, la bande de rembourrage doit être placée dans la plaque de base pour assurer un ajustement plus serré.

Voir plus de produits R&G pour votre moto via ce lien :



[R&G Racing | All Products for Triumph - Tiger 1200 GT Pro \(rg-racing.com\)](http://rg-racing.com)

ISSUE 1 - 01/11/2022 (MH)

CONSUMER NOTICE

The catalogue description and any exhibition of samples are only broad indications of the Products and R&G may make design changes which do not diminish their performance or visual appeal and supplying them in such state shall conform to the order. The Buyer acknowledges no representation or warranty (other than as to title) has been given or will apply to the Products other than those in R&G's order or confirmation and the Buyer confirms it has chosen the Products as being of merchantable quality and suitable for its particular purposes. Where R&G fits the Products or undertakes other services it shall exercise reasonable skill and care and rectify any fault free of charge unless the workmanship has been disturbed. The Buyer is responsible for ensuring that the warranty on the motorcycle is not affected by the fitting of the Products. On return of any defective Products R&G shall at its option either supply a replacement or refund the purchase money but shall not be liable if the Products have been modified or used or maintained otherwise than in accordance with R&G's or manufacturer's instructions and good engineering practice or if the defect arises from accident or neglect. Other than identified above and subject to R&G not limiting its liability for causing death and personal injury, it shall not be liable for indirect or consequential loss and otherwise its liability shall be limited to the amounts paid by the Buyer for the Products or the fitting or service concerned. These terms do not affect the Buyer's statutory rights.

R&G RACING RETURNS POLICY (NON-FAULTY GOODS)

Returns must be pre-authorized (if not pre-authorized the return will be rejected). Goods may only be returned direct to us if they were purchased direct from us (customer must prove if necessary). Otherwise to be returned to original vendor. Goods must be in re-sellable condition, in the opinion of R&G Racing. All returns are subject to a 25% restocking and handling fee (25% of the gross value exc. P&P – at the prevailing price at time of purchase). The customer must pay any and all carriage charges. No returns of discontinued products, unless within 14 days of purchase. This policy does not affect your statutory rights and does not refer to faulty goods.