



**FITTING INSTRUCTIONS FOR RAD0278 RADIATOR GUARD
FOR DUCATI DIAVEL 1260 S 2021-**



THIS KIT CONTAINS THE ITEMS PICTURED AND LABELLED OVER PAGE.

SOME PARTS MAY BE SHOWN FOR CLARITY OF INSTRUCTIONS ONLY.

DO NOT PROCEED UNTIL YOU ARE SURE ALL PARTS ARE PRESENT.

PLEASE READ ALL INSTRUCTIONS BEFORE PROCEEDING.

**IF IN ANY DOUBT WHEN FITTING OUR PRODUCTS, CONSULT ONE OF
OUR DEALERS OR HAVE FITTED BY A QUALIFIED TECHNICIAN.**

PLEASE NOTE THAT THE WAY THE KIT IS PACKED DOES NOT NECESSARILY REPRESENT THE
WAY OF MOUNTING TO THE BIKE.

IN THE EVENT OF RUBBER WASHERS BEING USED TO HOLD COMPONENTS ONTO BOLTS,
THESE RUBBER WASHERS CAN BE THROWN AWAY.

DIGITAL COPIES OF THESE INSTRUCTIONS ARE AVAILABLE FROM:

WWW.RG-RACING.COM



<u>TOOLS REQUIRED</u>	<u>GENERAL TORQUE SETTINGS</u>
<ul style="list-style-type: none"> • Set of metric Allen keys. <ul style="list-style-type: none"> • Scissors 	<p>M4 BOLT = 8Nm M5 BOLT = 12Nm M6 BOLT = 15Nm M8 BOLT = 20Nm M10 BOLT = 40Nm M12 BOLT = 40Nm</p>

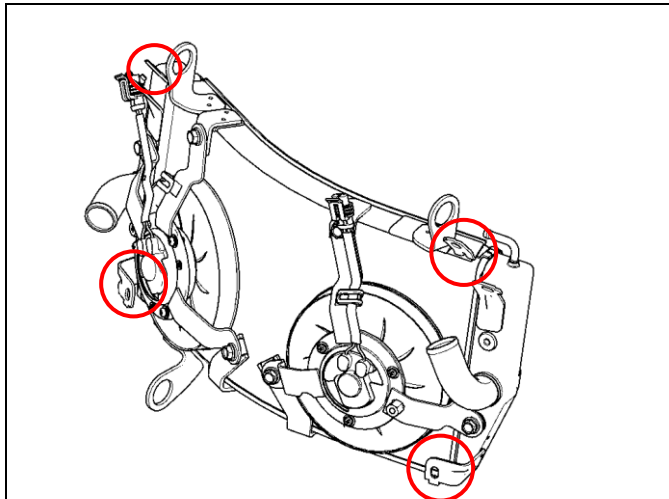
LEGEND

ITEM NO.	DESCRIPTION	QTY
ITEM 1	RADIATOR GUARD (RAD0278)	1
ITEM 2	SELF ADHESIVE FOAM x 100mm LONG (FS0003BK)	2
ITEM 3	CABLE TIES 220mm LONG (CT220)	6

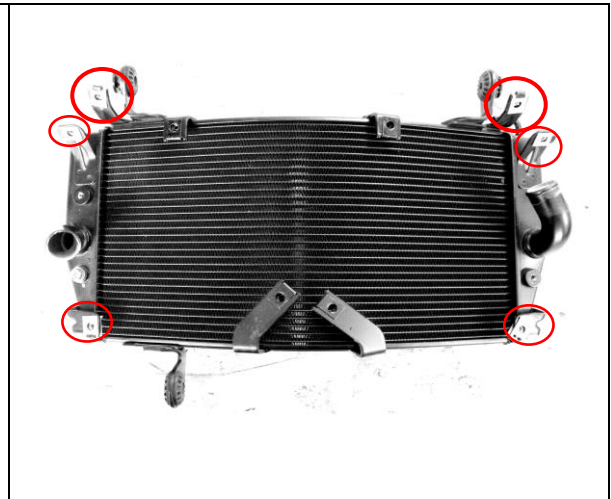




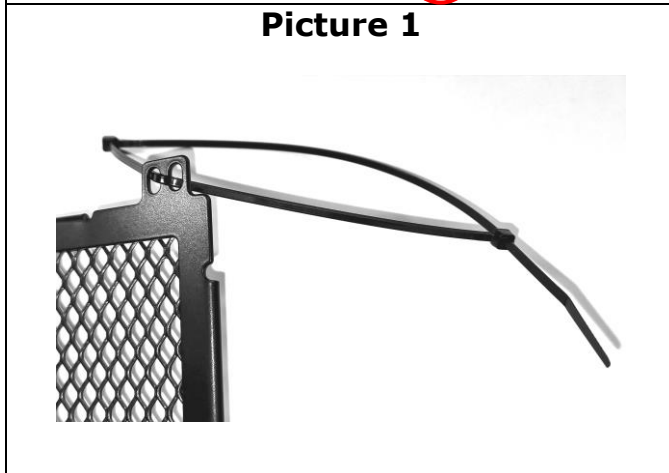
FITTING PICTURES



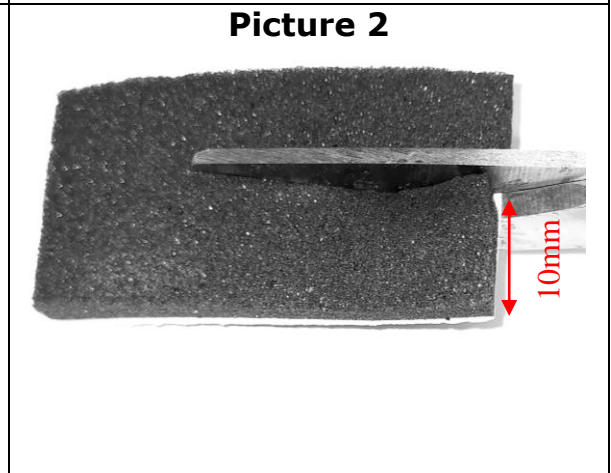
Picture 1



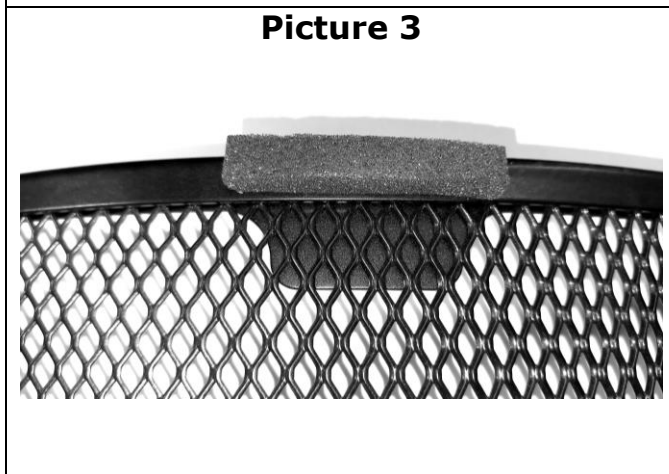
Picture 2



Picture 3



Picture 4





FITTING INSTRUCTIONS

PREPARATION:

- Thoroughly clean the surface of the radiator guard with the supplied alcohol cleaning wipe and allow to dry.
- Cut the supplied foam in 10mm thick strips and place them around the outer edges of the radiator guard. (**Pictures 4 & 5**)
- Insert the supplied cable ties through all four mounting slots, then loop over and click together the **top two** cable ties (2-3 clicks each) leaving the lower two open.

REMOVING OEM RADIATOR SHROUDS:

- Remove the 6 bolts (3 per sides) which hold the shrouds in place (**Picture 2**) using an allen key set.
- Once removed, the shrouds can be pulled away from the bike and the electrical connectors for the indicators can be disconnected.
- If performing this fitment alone, wrap the panel in a microfibre cloth or similar and allowing it to hang from the cable while you cut the cable ties/unhook rubber cable stays.

PLEASE NOTE:

Once the final fixing has been cut/removed the panel will drop if not being held while disconnecting.

- Store each panel away during the rest of the fitting process.

FITTING THE R&G RADIATOR GUARD:

- Offer up the radiator guard to the radiator and hook the top two cable ties that were partially closed previously around the upper shroud mounting tabs shown in **Picture 2**.
- Then wrap around the remaining two bottom cable ties around the lower mounts and partially close them.
- Loosely tighten each cable tie, leaving enough slack to adjust the radiator guard's position.
- Slowly tighten each cable tie one at a time, until the radiator is positioned correctly and no longer moves freely.
- Once you are happy with the fitment of the radiator guard the ends of the cable ties can be clipped off and the shrouds can be re-installed.

ISSUE 1 - 14/09/2021 - (TB)



CONSUMER NOTICE

The catalogue description and any exhibition of samples are only broad indications of the Products and R&G may make design changes which do not diminish their performance or visual appeal and supplying them in such state shall conform to the order. The Buyer acknowledges no representation or warranty (other than as to title) has been given or will apply to the Products other than those in R&G's order or confirmation and the Buyer confirms it has chosen the Products as being of merchantable quality and suitable for its particular purposes. Where R&G fits the Products or undertakes other services it shall exercise reasonable skill and care and rectify any fault free of charge unless the workmanship has been disturbed. The Buyer is responsible for ensuring that the warranty on the motorcycle is not affected by the fitting of the Products. On return of any defective Products R&G shall at its option either supply a replacement or refund the purchase money but shall not be liable if the Products have been modified or used or maintained otherwise than in accordance with R&G's or manufacturer's instructions and good engineering practice or if the defect arises from accident or neglect. Other than identified above and subject to R&G not limiting its liability for causing death and personal injury, it shall not be liable for indirect or consequential loss and otherwise its liability shall be limited to the amounts paid by the Buyer for the Products or the fitting or service concerned. These terms do not affect the Buyer's statutory rights.

R&G RETURNS POLICY (NON-FAULTY GOODS)

Returns must be pre-authorized (if not pre-authorized the return will be rejected). Goods may only be returned direct to us if they were purchased direct from us (customer must prove if necessary). Otherwise to be returned to original vendor. Goods must be in re-sellable condition, in the opinion of R&G. All returns are subject to a 25% restocking and handling fee (25% of the gross value exc. P&P – at the prevailing price at time of purchase). The customer must pay any and all carriage charges. No returns of discontinued products, unless within 14 days of purchase. This policy does not affect your statutory rights and does not refer to faulty goods.

R&G

Unit 1, Shelley's Lane, East Worldham, Alton, Hampshire, GU34 3AQ

Tel: +44 (0)1420 89007 Fax: +44 (0)1420 87301 www.rg-racing.com Email: info@rg-racing.com