



**FITTING INSTRUCTIONS FOR RAD0289PRO**



**THIS KIT CONTAINS THE ITEMS PICTURED AND LABELLED OVER PAGE.**

SOME PARTS MAY BE SHOWN FOR CLARITY OF INSTRUCTIONS ONLY.

DO NOT PROCEED UNTIL YOU ARE SURE ALL PARTS ARE PRESENT.

**PLEASE READ ALL INSTRUCTIONS BEFORE PROCEEDING.**

**IF IN ANY DOUBT WHEN FITTING OUR PRODUCTS, CONSULT ONE OF OUR DEALERS  
OR HAVE FITTED BY A QUALIFIED TECHNICIAN.**

PLEASE NOTE THAT THE WAY THE KIT IS PACKED DOES NOT NECESSARILY REPRESENT THE WAY OF  
MOUNTING TO THE BIKE.

IN THE EVENT OF RUBBER WASHERS BEING USED TO HOLD COMPONENTS ONTO BOLTS,  
THESE RUBBER WASHERS CAN BE THROWN AWAY.

**DIGITAL COPIES OF THESE INSTRUCTIONS ARE AVAILABLE FROM:**

[WWW.RG-RACING.COM](http://WWW.RG-RACING.COM)

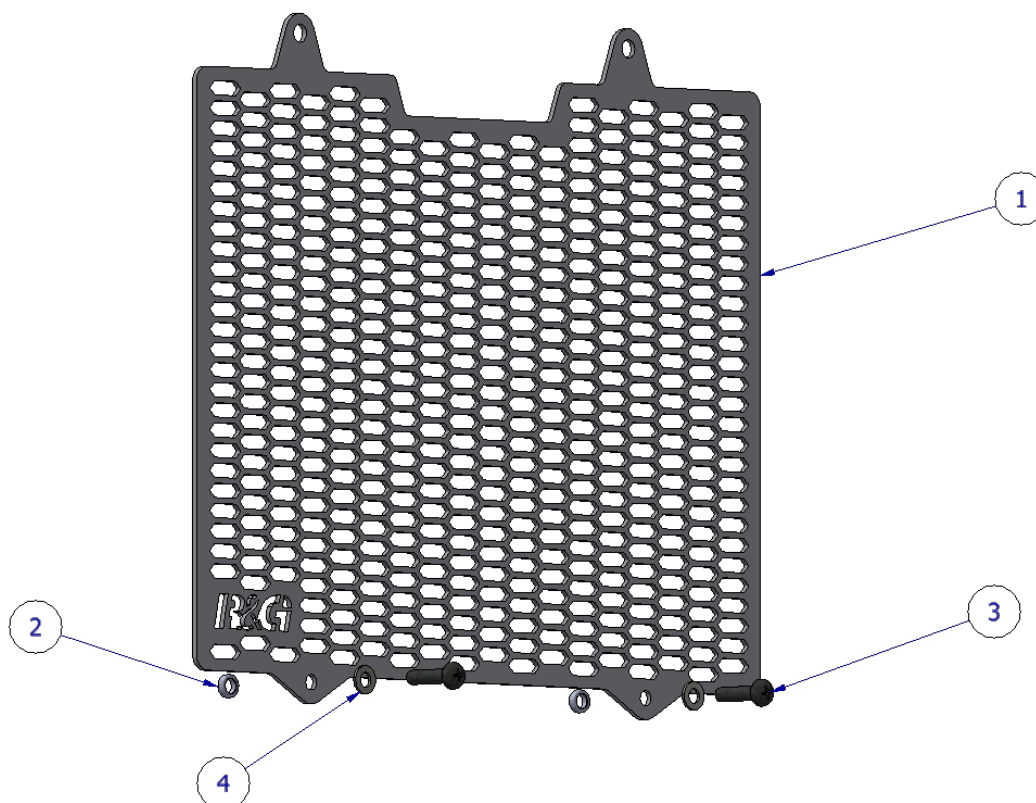


<b><u>TOOLS REQUIRED</u></b>	<b><u>GENERAL TORQUE SETTINGS</u></b>
<ul style="list-style-type: none"> <li>• SET OF ALLEN KEYS</li> </ul>	<p>M4 BOLT = 8Nm                      M5 BOLT = 12Nm                      M6 BOLT = 15Nm                      M8 BOLT = 20Nm                      M10 BOLT = 40Nm                      M12 BOLT = 40Nm</p>

**LEGEND**

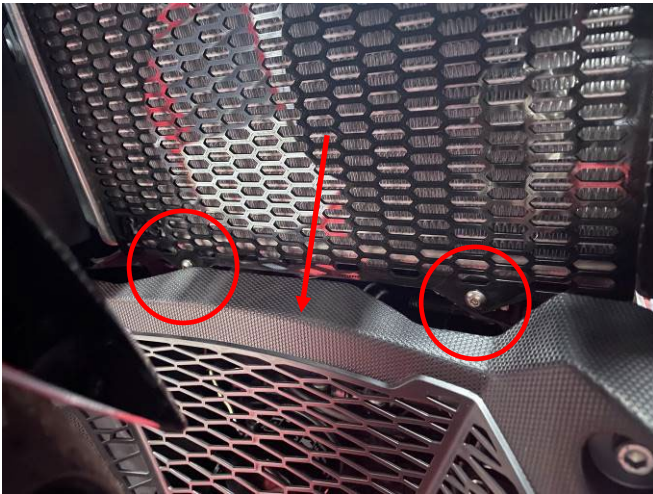
<b>ITEM NO.</b>	<b>DESCRIPTION</b>	<b>QTY</b>
ITEM 1	RADIATOR GUARD (RAD0289)	1
ITEM 2	M5 SPACER (S0885)	2
ITEM 3	M5 x 20mm BUTTON HEAD BOLT	2
ITEM 4	M5 WASHER	4
ITEM 5	SELF ADHESIVE FOAM (NOT SHOWN)	2
ITEM 6	J-CLIPS (NOT SHOWN)	2

**ASSEMBLY DIAGRAM**

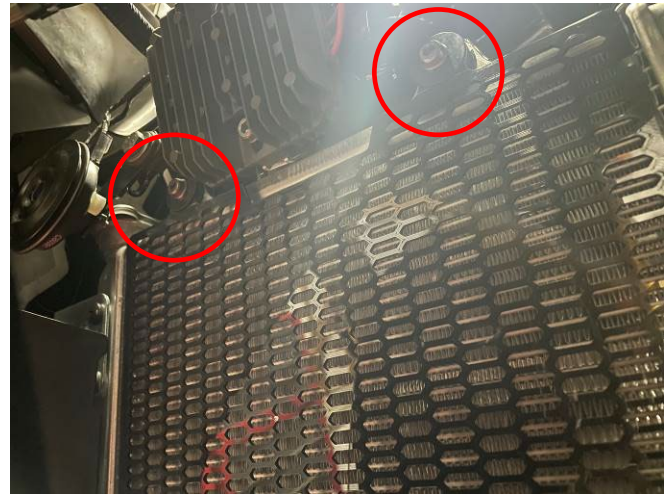




## FITTING PICTURES



Picture 1



Picture 2

## FITTING INSTRUCTIONS

- Cut the adhesive foam (**Item 5**) provided into strips and affix onto the rear of the outer frame of each radiator guard to sit between the guard and the radiator.
- Remove the OE downpipe grill cover (Arrowed in **Picture 1**).
- Remove the bottom 2 OEM radiator fixings (Shown in **Picture 1**).
- Remove the top 2 OEM radiator fixings (Shown in **Picture 2**) taking note of the OEM fixing assembly layout.
- **Please note: the radiator guard can be used with or without the OE plastic guard, if you wish to remove the OE guard the RHS fairing must be removed in order to slide it out. If retaining the OE guard, the R&G guard can be slipped underneath.**
- Offer the radiator guard up to the radiator.
- Attach the R&G radiator guard (**Item 1**) using the 2x OE M6 bolts & washers.
- Attach the lower half of the radiator guard using the M5 bolts, washers & spacers (**Items 2-4**) as shown in the assembly diagram. **Please note: to fit to the G310GS, the two J-Clips will need to be added to the lower mounts on the radiator (circled in Picture 1).**
- Refit the OE downpipe grill & check all components are secure and all bolts are tight before riding.

ISSUE 3 - 29/01/2025 - (MH)

### **CONSUMER NOTICE**

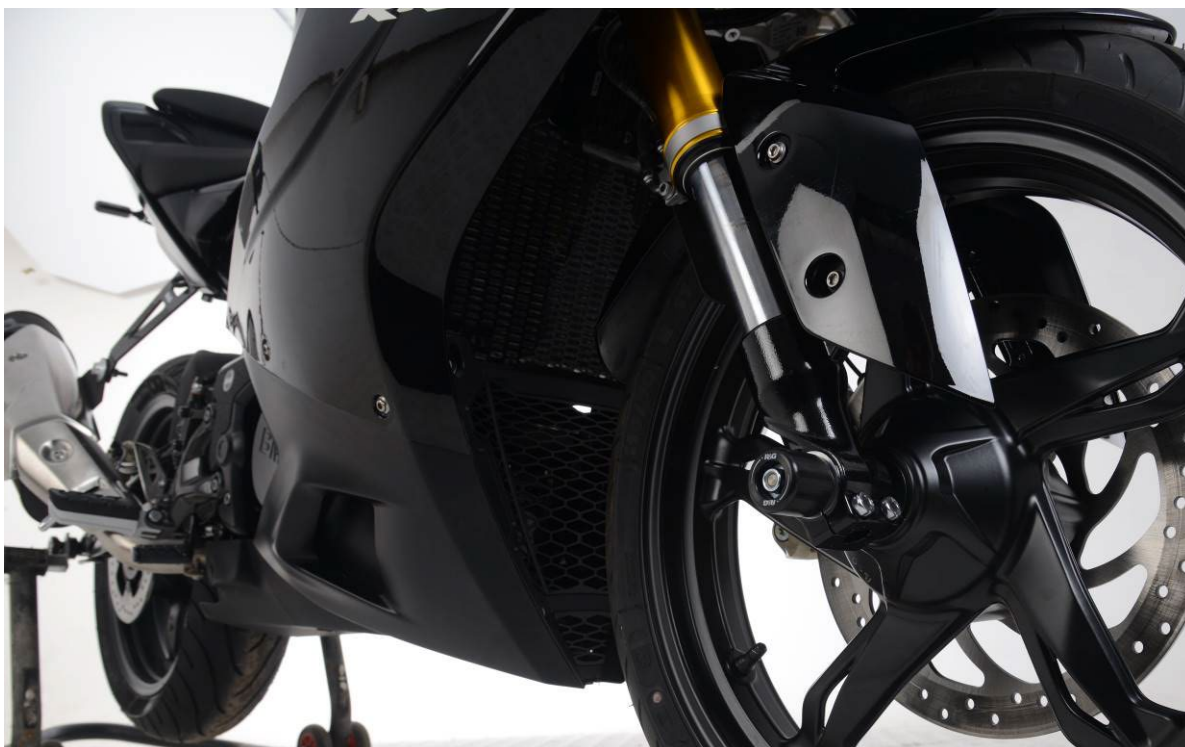
The catalogue description and any exhibition of samples are only broad indications of the Products and R&G may make design changes which do not diminish their performance or visual appeal and supplying them in such state shall conform to the order. The Buyer acknowledges no representation or warranty (other than as to title) has been given or will apply to the Products other than those in R&G's order or confirmation and the Buyer confirms it has chosen the Products as being of merchantable quality and suitable for its particular purposes. Where R&G fits the Products or undertakes other services it shall exercise reasonable skill and care and rectify any fault free of charge unless the workmanship has been disturbed. The Buyer is responsible for ensuring that the warranty on the motorcycle is not affected by the fitting of the Products. On return of any defective Products R&G shall at its option either supply a replacement or refund the purchase money but shall not be liable if the Products have been modified or used or maintained otherwise than in accordance with R&G's or manufacturer's instructions and good engineering practice or if the defect arises from accident or neglect. Other than identified above and subject to R&G not limiting its liability for causing death and personal injury, it shall not be liable for indirect or consequential loss and otherwise its liability shall be limited to the amounts paid by the Buyer for the Products or the fitting or service concerned. These terms do not affect the Buyer's statutory rights.

**R&G RACING RETURNS POLICY (NON-FAULTY GOODS)**

Returns must be pre-authorized (if not pre-authorized the return will be rejected). Goods may only be returned direct to us if they were purchased direct from us (customer must prove if necessary). Otherwise to be returned to original vendor. Goods must be in re-sellable condition, in the opinion of R&G Racing. All returns are subject to a 25% restocking and handling fee (25% of the gross value exc. P&P – at the prevailing price at time of purchase). The customer must pay any and all carriage charges. No returns of discontinued products, unless within 14 days of purchase. This policy does not affect your statutory rights and does not refer to faulty goods.



## **NOTICE DE MONTAGE POUR RAD0289PRO**



**CE KIT CONTIENT LES ARTICLES ILLUSTRÉS ET ÉTIQUETES SUR LA PAGE.**

CERTAINES PARTIES PEUVENT ÊTRE PRÉSENTES UNIQUEMENT POUR LA CLARTÉ DES INSTRUCTIONS.

NE PAS PROCÉDER AU MONTAGE TANT QUE VOUS N'ÊTES PAS SÛR QUE TOUTES LES PIÈCES SOIENT PRÉSENTES.

**VEUILLEZ LIRE TOUTES LES INSTRUCTIONS AVANT DE CONTINUER.**

**EN CAS DE DOUTE LORS DU MONTAGE DE NOS PRODUITS, CONSULTEZ UN DE NOS REVENDEURS OU FAITES APPEL À UN TECHNICIEN QUALIFIÉ.**

VEUILLEZ NOTER QUE LA FAÇON DONT LE KIT EST EMBALLÉ NE REPRÉSENTE PAS NECESSAIREMENT LA MANIÈRE DE LE MONTER SUR LA MOTO.

SI DES RONDELLES EN CAOUTCHOUC SONT UTILISÉES POUR MAINTENIR LES COMPOSANTS SUR LES BOULONS, ELLES PEUVENT ÊTRE JETÉES.

**NOTICE DISPONIBLE AU TÉLÉCHARGEMENT SUR :**

[WWW.RG-RACING.COM](http://WWW.RG-RACING.COM)

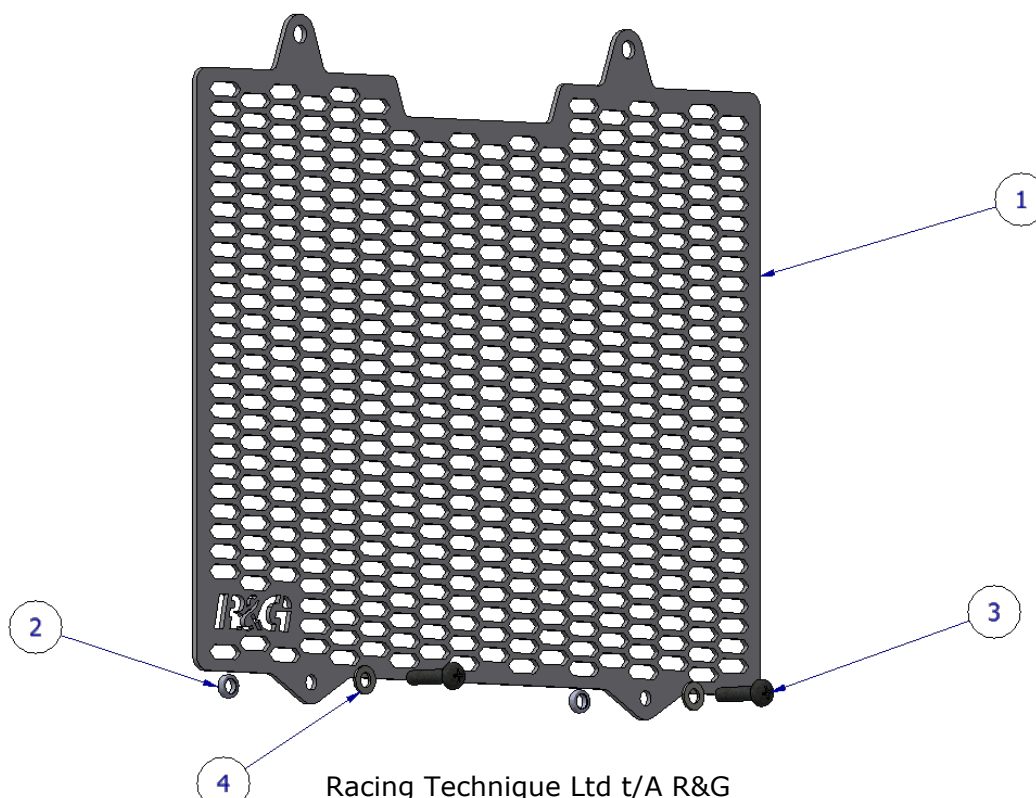


<b><u>OUTILS REQUIS</u></b>	<b><u>VALEURS DE SERRAGE</u></b>
<ul style="list-style-type: none"> <li>• CLÉS ALLEN</li> </ul>	M4 BOULON = 8Nm M5 BOULON = 12Nm M6 BOULON = 15Nm M8 BOULON = 20Nm M10 BOULON = 40Nm M12 BOULON = 40Nm

### **LÉGENDE**

<b>ARTICLE NO.</b>	<b>DESCRIPTION</b>	<b>QTÉ</b>
ARTICLE 1	PROTECTION RADIATEUR (RAD0289)	1
ARTICLE 2	M5 ENTRETOISE (S0885)	2
ARTICLE 3	M5 x 20mm BOULON	2
ARTICLE 4	M5 RONDELLE	4
ARTICLE 5	BANDEAU DE MOUSSE AUTOCOLLANT (NON INDIQUÉ)	2
ARTICLE 6	J-CLIPS (NON INDIQUÉ)	2

### **SCHÉMA D'ENSEMBLE**





## **PHOTOS DE MONTAGE**

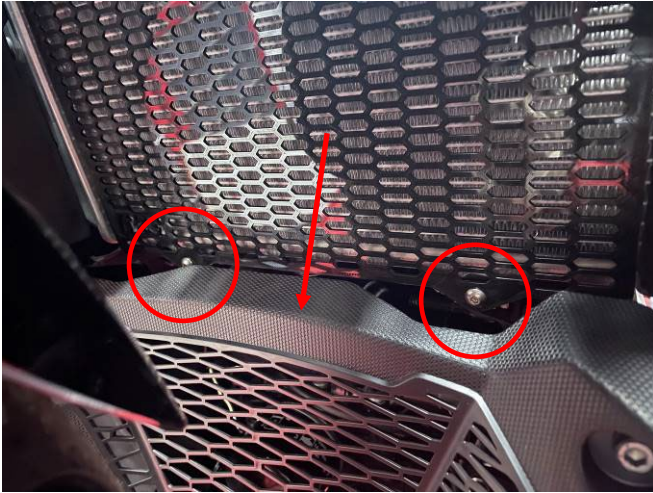


Photo 1

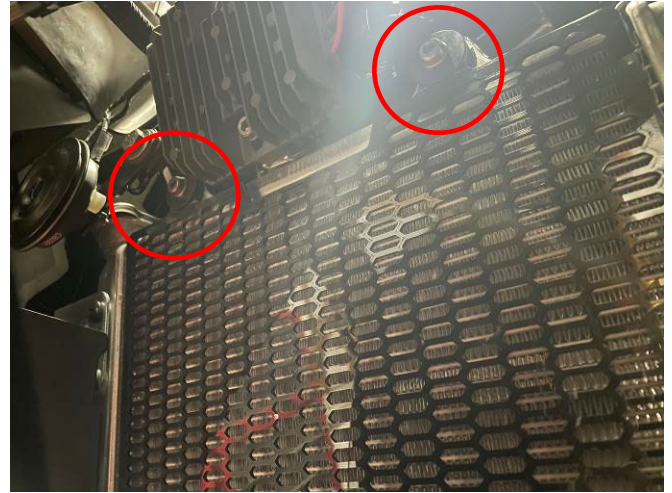


Photo 2

## **NOTICE DE MONTAGE**

- Coupez la mousse adhésive (article 5) fournie en bandes et fixez-la à l'arrière du cadre extérieur de chaque protection de radiateur pour la placer entre la protection et le radiateur.
- Retirez le couvercle de la grille d'origine (flèche sur la photo 1).
- Retirez les 2 fixations inférieures du radiateur d'origine (illustrées sur la photo 1).
- Retirez les 2 fixations supérieures du radiateur d'origine (illustrées sur la photo 2) en prenant note de la disposition de l'ensemble de fixation d'origine.
- Veuillez noter : la protection de radiateur peut être utilisée avec ou sans la protection en plastique d'origine. Si vous souhaitez retirer la protection d'origine, le carénage côté droit doit être retiré afin de la faire glisser. Si vous conservez la protection d'origine, la protection R&G peut être glissée en dessous.
- Présentez la protection radiateur sur le radiateur.
- Fixez la protection radiateur R&G (article 1) à l'aide des 2 boulons et rondelles d'origine M6.
- Fixez la moitié inférieure de la protection radiateur à l'aide des boulons M5, des rondelles et des entretoises (articles 2 à 4) comme indiqué sur le schéma d'assemblage. Remarque : pour le montage sur le G310GS, les deux clips en J devront être ajoutés aux supports inférieurs du radiateur (entourés sur la photo 1).
- Remontez la grille de descente d'origine et vérifiez que tous les composants soient bien fixés et que tous les boulons soient bien serrés avant de rouler.

ISSUE 3 - 29/01/2025 – (MH)

### **CONSUMER NOTICE**

The catalogue description and any exhibition of samples are only broad indications of the Products and R&G may make design changes which do not diminish their performance or visual appeal and supplying them in such state shall conform to the order. The Buyer acknowledges no representation or warranty (other than as to title) has been given or will apply to the Products other than those in R&G's order or confirmation and the Buyer confirms it has chosen the Products as being of merchantable quality and suitable for its particular purposes. Where R&G fits the Products or undertakes other services it shall exercise reasonable skill and care and rectify any fault free of charge unless the workmanship has been disturbed. The Buyer is responsible for ensuring that the warranty on the motorcycle is not affected by the fitting of the Products. On return of any defective Products R&G shall at its option either supply a replacement or refund the purchase money but shall not be liable if the Products have been modified or used or maintained otherwise than in accordance with R&G's or manufacturer's instructions and good

Racing Technique Ltd t/A R&G

Unit 1, Shelleys Lane, East Worldham, Alton, Hampshire, GU 34 3AQ  
 Tel: +44 (0)1420 89007 [www.rg-racing.com](http://www.rg-racing.com) Email: [infor@rg-racing.com](mailto:infor@rg-racing.com)



engineering practice or if the defect arises from accident or neglect. Other than identified above and subject to R&G not limiting its liability for causing death and personal injury, it shall not be liable for indirect or consequential loss and otherwise its liability shall be limited to the amounts paid by the Buyer for the Products or the fitting or service concerned. These terms do not affect the Buyer's statutory rights.

**R&G RACING RETURNS POLICY (NON-FAULTY GOODS)**

Returns must be pre-authorized (if not pre-authorized the return will be rejected). Goods may only be returned direct to us if they were purchased direct from us (customer must prove if necessary). Otherwise to be returned to original vendor. Goods must be in re-sellable condition, in the opinion of R&G Racing. All returns are subject to a 25% restocking and handling fee (25% of the gross value exc. P&P – at the prevailing price at time of purchase). The customer must pay any and all carriage charges. No returns of discontinued products, unless within 14 days of purchase. This policy does not affect your statutory rights and does not refer to faulty goods.