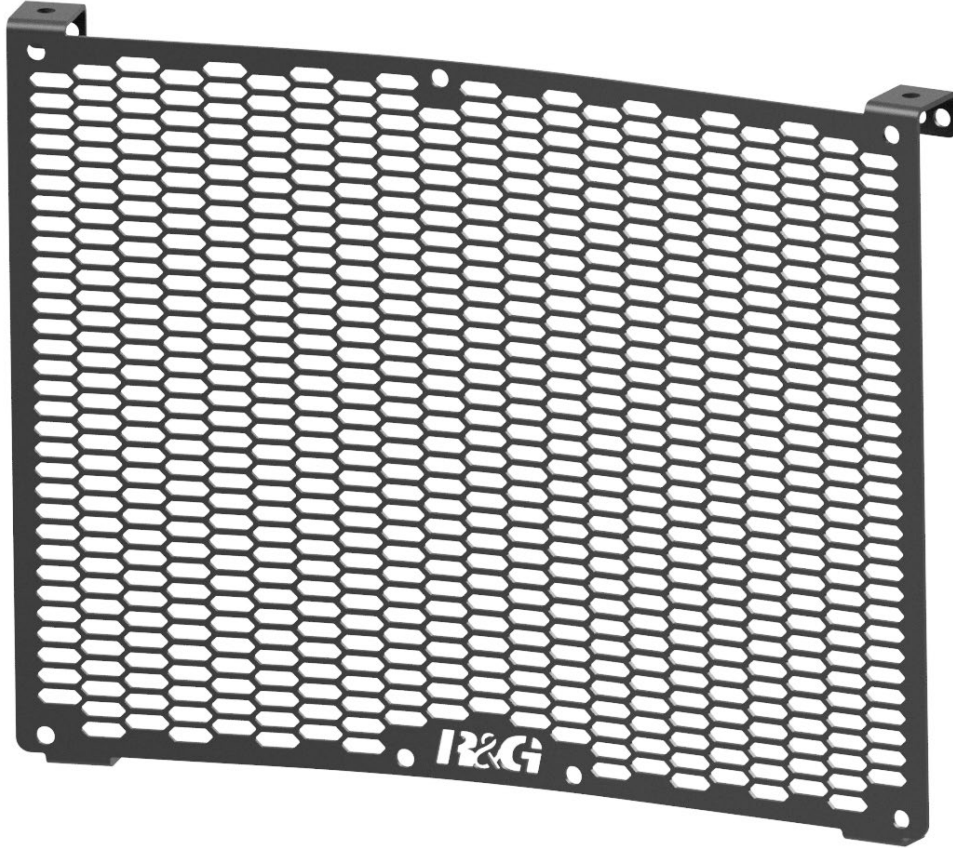




FITTING INSTRUCTIONS FOR RAD0386PRO



THIS KIT CONTAINS THE ITEMS PICTURED AND LABELLED OVER PAGE.
SOME PARTS MAY BE SHOWN FOR CLARITY OF INSTRUCTIONS ONLY.

DO NOT PROCEED UNTIL YOU ARE SURE ALL PARTS ARE PRESENT.

PLEASE READ ALL INSTRUCTIONS BEFORE PROCEEDING.

**IF IN ANY DOUBT WHEN FITTING OUR PRODUCTS, CONSULT ONE OF OUR DEALERS
OR HAVE FITTED BY A QUALIFIED TECHNICIAN.**

PLEASE NOTE THAT THE WAY THE KIT IS PACKED DOES NOT NECESSARILY REPRESENT THE WAY OF
MOUNTING TO THE BIKE.

IN THE EVENT OF RUBBER WASHERS BEING USED TO HOLD COMPONENTS ONTO BOLTS,
THESE RUBBER WASHERS CAN BE THROWN AWAY.

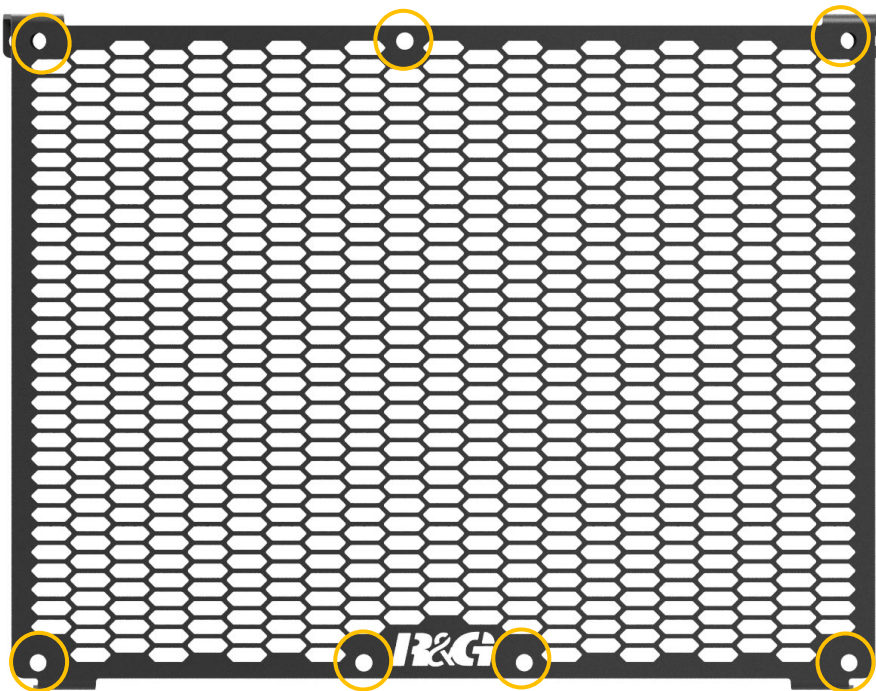


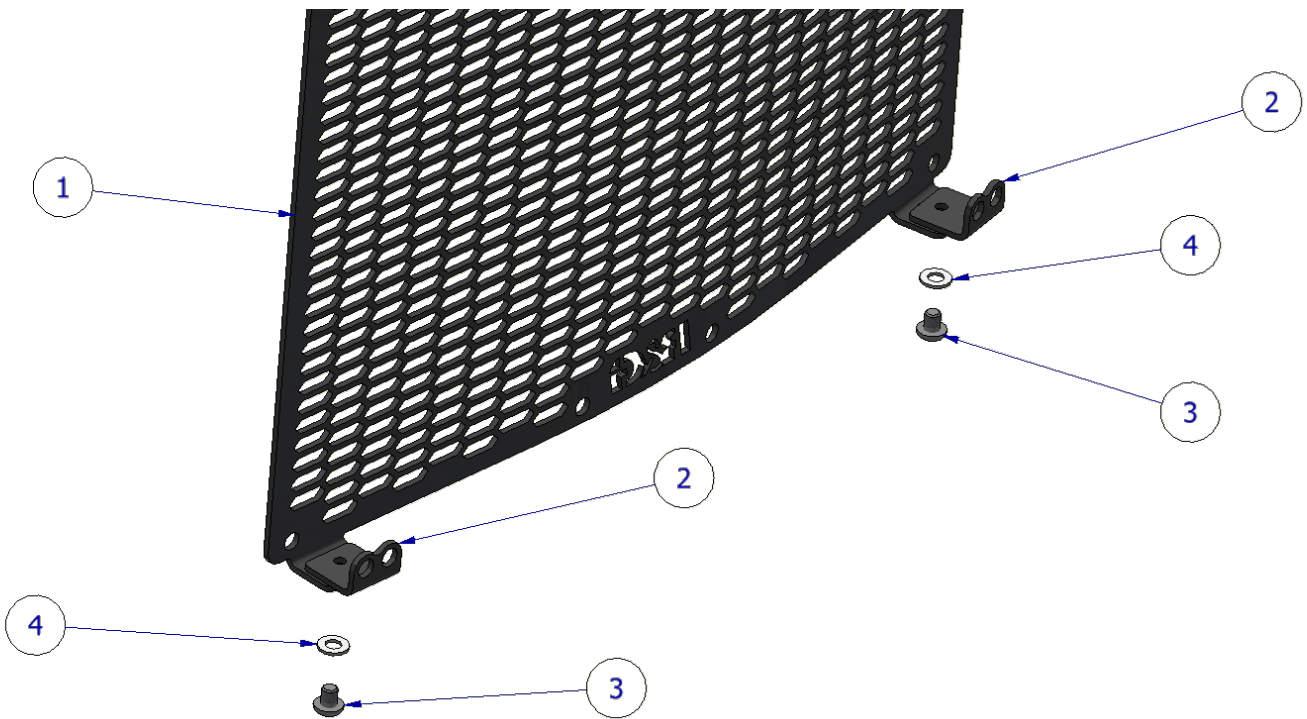
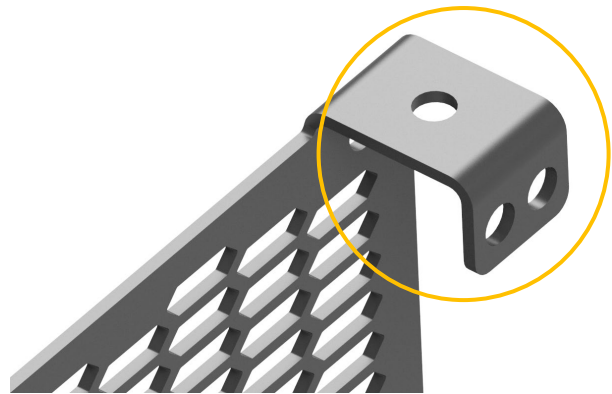
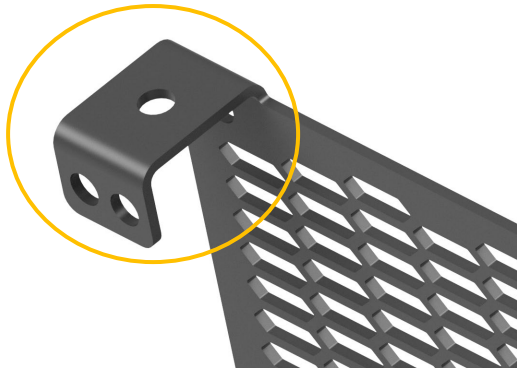
<u>TOOLS REQUIRED</u>	<u>GENERAL TORQUE SETTINGS</u>
<ul style="list-style-type: none"> • SET OF ALLEN KEYS • Loctite 	<p>M4 BOLT = 8Nm M5 BOLT = 12Nm M6 BOLT = 15Nm M8 BOLT = 20Nm M10 BOLT = 40Nm M12 BOLT = 40Nm</p>

LEGEND

ITEM NO.	DESCRIPTION	QTY
ITEM 1	RADIATOR GUARD (RAD0386)	1
ITEM 2	CLAMPING PLATES (SMW0302)	2
ITEM 3	M5 x 6mm BUTTON HEAD BOLT	2
ITEM 4	M5 WASHER	2
ITEM 5	RUBBER BUNGS (RB0015)	18

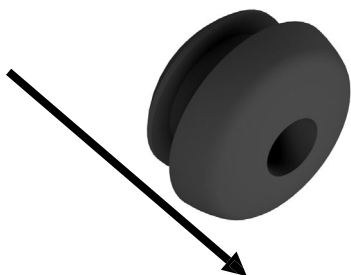
ASSEMBLY DIAGRAMS





FITTING PICTURES

INSIDE OF RAD GUARD



PICTURE 1



PICTURE 2



FITTING INSTRUCTIONS

- Firstly, carefully clean the radiator, being careful not to damage any of the fins.
- Prepare the radiator guard and clamping plates by inserting 17x rubber bungs (**Item 5**) into the radiator guard (**Item 1**) and the clamping plates (**Item 2**) in the positions circled in orange in the Assembly Diagrams. When fitting, please make sure that (once assembled) all of the rubber bungs are facing so that the side shown in Picture 1 is facing inwards towards the radiator and only the smooth side (no hole) is visible.

Please note: Fitting the bungs is much easier with the use of a 3mm allen/hex key as shown in **Picture 2**, place the bungs on the end of the allen key and carefully push through the holes in the orientation shown in **Picture 1**.

- Hook the 2 top folded tabs over the top of the radiator so it hangs in place.
- Bolt the 2x clamping plates (with rubber bungs installed) onto the bottom of the radiator guard using the M5 bolt and washer (**Items 3 & 4**) as shown in the assembly diagram, ensuring the plates sit above the 2x lower tabs to allow the bolt to thread into the clamping plate threaded hole. It is recommended to use a small drop of Loctite on each bolt to ensure it stays in place.
- Check that the guard is in the correct position before tightening the 2x M5 bolts fully according to the general torque spec table on page 2. Regularly check the bolts before riding.

ISSUE 1 - 26/03/2026 (MH)

CONSUMER NOTICE

The catalogue description and any exhibition of samples are only broad indications of the Products and R&G may make design changes which do not diminish their performance or visual appeal and supplying them in such state shall conform to the order. The Buyer acknowledges no representation or warranty (other than as to title) has been given or will apply to the Products other than those in R&G's order or confirmation and the Buyer confirms it has chosen the Products as being of merchantable quality and suitable for its particular purposes. Where R&G fits the Products or undertakes other services it shall exercise reasonable skill and care and rectify any fault free of charge unless the workmanship has been disturbed. The Buyer is responsible for ensuring that the warranty on the motorcycle is not affected by the fitting of the Products. On return of any defective Products R&G shall at its option either supply a replacement or refund the purchase money but shall not be liable if the Products have been modified or used or maintained otherwise than in accordance with R&G's or manufacturer's instructions and good engineering practice or if the defect arises from accident or neglect. Other than identified above and subject to R&G not limiting its liability for causing death and personal injury, it shall not be liable for indirect or consequential loss and otherwise its liability shall be limited to the amounts paid by the Buyer for the Products or the fitting or service concerned. These terms do not affect the Buyer's statutory rights.

R&G RACING RETURNS POLICY (NON-FAULTY GOODS)

Returns must be pre-authorized (if not pre-authorized the return will be rejected). Goods may only be returned direct to us if they were purchased direct from us (customer must prove if necessary). Otherwise to be returned to original vendor. Goods must be in re-sellable condition, in the opinion of R&G Racing. All returns are subject to a 25% restocking and handling fee (25% of the gross value exc. P&P - at the prevailing price at time of purchase). The customer must pay any and all carriage charges. No returns of discontinued products, unless within 14 days of purchase. This policy does not affect your statutory rights and does not refer to faulty goods.